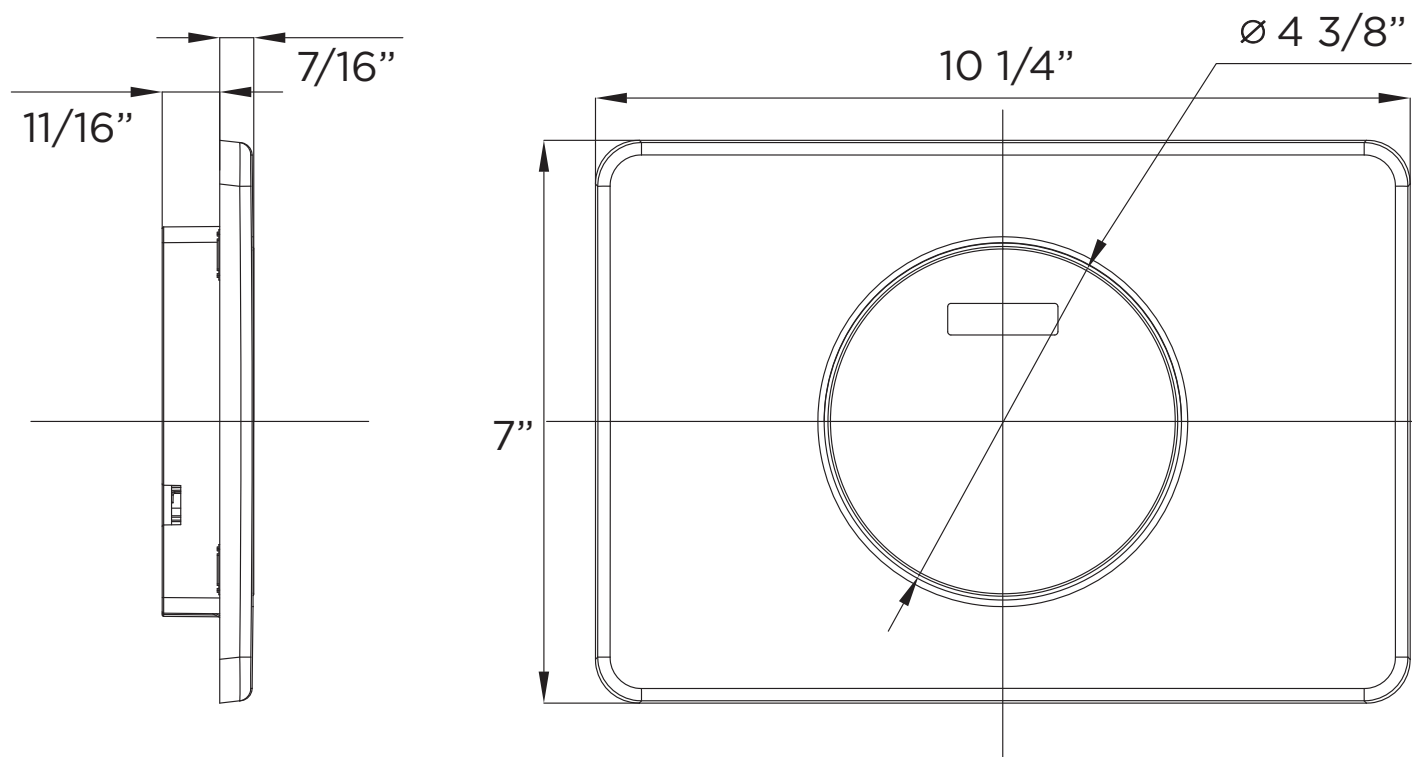


**SPECIFICATIONS / TECHNICAL DATA**

**STAINLESS STEEL SENSOR  
ACTUATOR**



*ATTENTION! Dimensions may vary by up to  $3/8''$ . It is highly recommended to pull all dimensions of actual model for installation and measuring purposes.*

**MODEL# SCTA01SS**